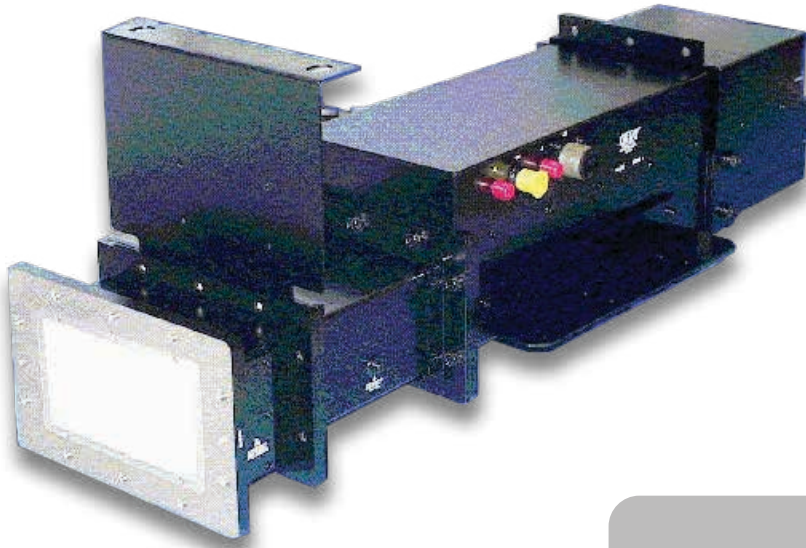


Communications & Power Industries Receiver Protector



With a history of producing high quality products, we can help you with your limiter.

Contact us at BMDMarketing@cpil.com or call us at +1 978-922-6000.

FEATURES:

- High power
- Long operating life
- Integral 0 to 63 dB continuously variable attenuator

BENEFITS:

- World's largest manufacturer of receiver protectors
- State of the art facility with high level of vertical integration
- Extensive high power test capability
- In-house environmental test facility
- Computer modeling and automatic test capabilities

APPLICATIONS:

- Ground based systems
- Naval radars
- Air traffic control radars
- Weather radars

CPI L-Band 500 W Receiver Protector: VDL1014

Electrical Specifications

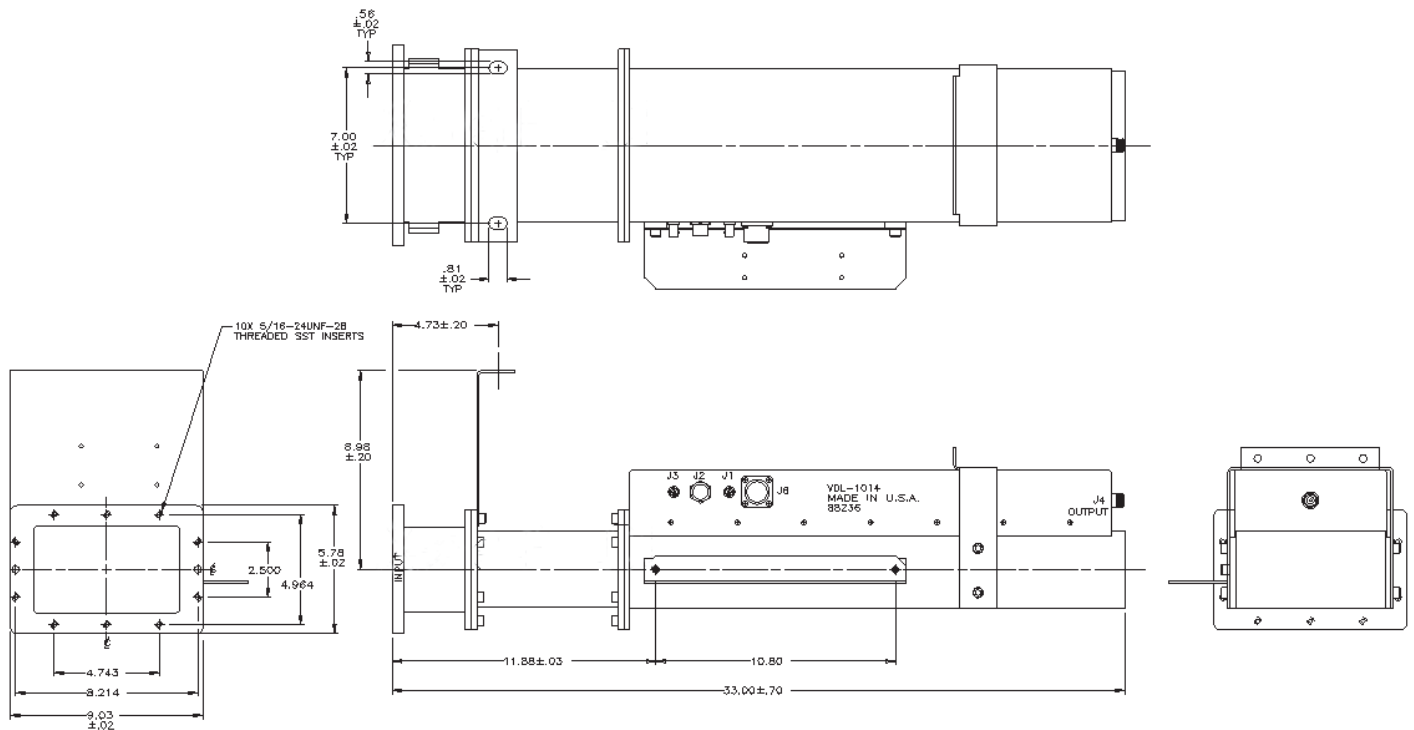
Operating frequency	1.25 – 1.35 GHz
Maximum power	500 kW peak
Maximum pulsewidth	2.0 uSec
Maximum duty cycle	0.0073
Maximum insertion loss	0.85 dB
Maximum VSWR	1.5:1
Maximum spike leakage power	100 mW
Maximum flat leakage power	30 mW
Maximum recovery time (-1dB)	20 uSec
STC attenuation*	0 to 63 dB

See product specification for details regarding attenuation accuracy and control

Mechanical and Environmental Specifications

RF input	Waveguide
RF output	Type N (F)
Dimensions	See outline drawing
Operating temperature	-10 ^o to +55 ^o C
Storage temperature	-55 ^o to +125 ^o C
Design operating life	10000 hours

See product specification for other detailed environmental specifications



Beverly Microwave Division
150 Sohier Road
Beverly, Massachusetts
USA 01915

tel +1 978-922-6000
email BMDMarketing@cpii.com
fax +1 978-922-8914
web www.cpii.com

For more detailed information, please refer to the corresponding CPI technical description if one has been published, or contact CPI. Specifications may change without notice as a result of additional data or product refinement. Please contact CPI before using this information for system design.

©2020 Communications & Power Industries LLC. Company proprietary; use and reproduction is strictly prohibited without written authorization from CPI.